

# Total Solution Include PD for Bidirectional Fast Charge Power Bank

## 1. General Description

The SW6117 is a highly integrated power management IC for fast charge power bank application. It integrates 4A switching charger, 18W synchronous boost, PD/QC/AFC/FCP/PE/SFCP fast charge protocol, fuel gauge and power controller. With simple external components, The SW6117 provides a turn-key high efficiency solution for fast charge battery management.

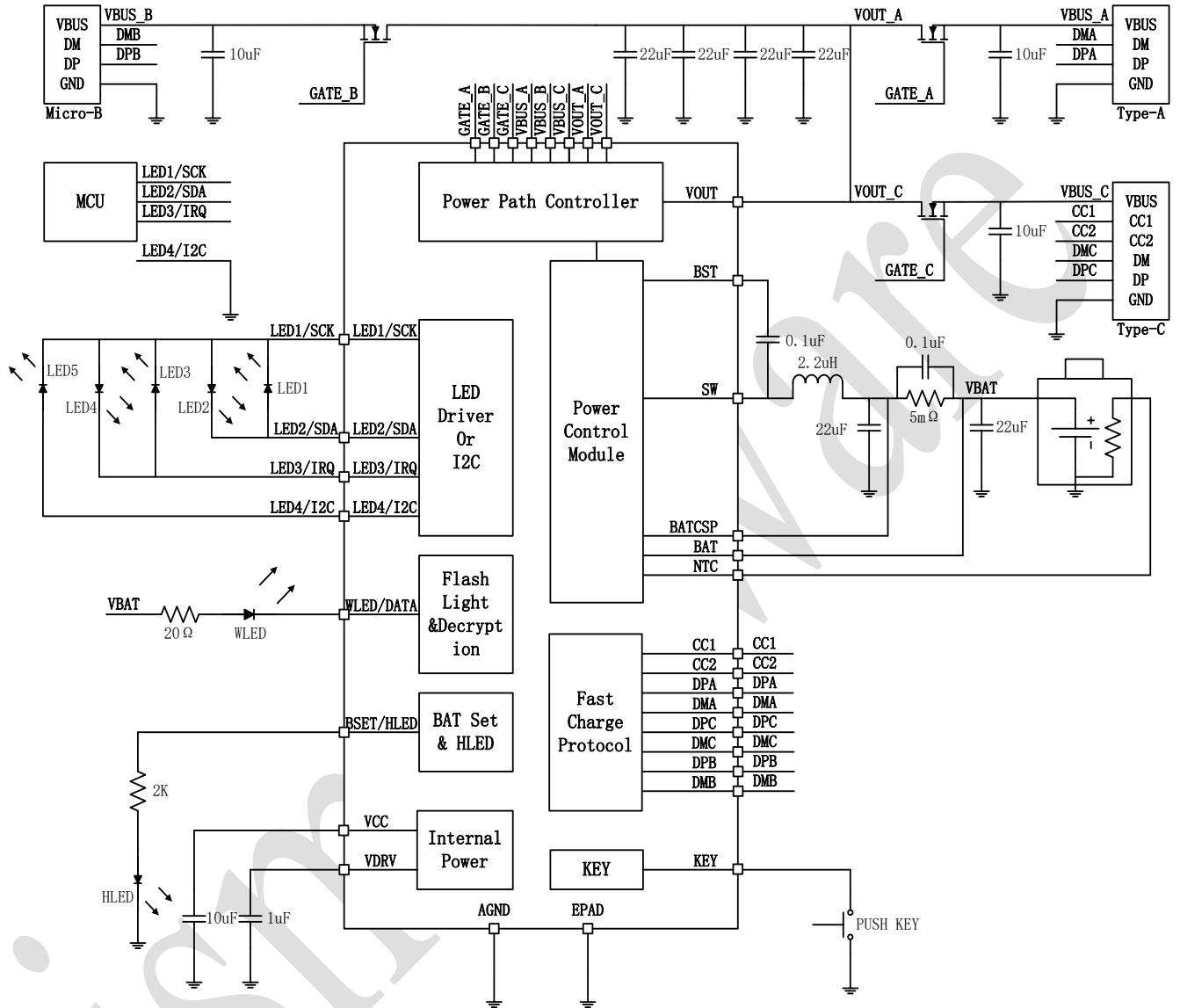
## 2. Applications

- Power Bank
- Battery Powered Device

## 3. Features

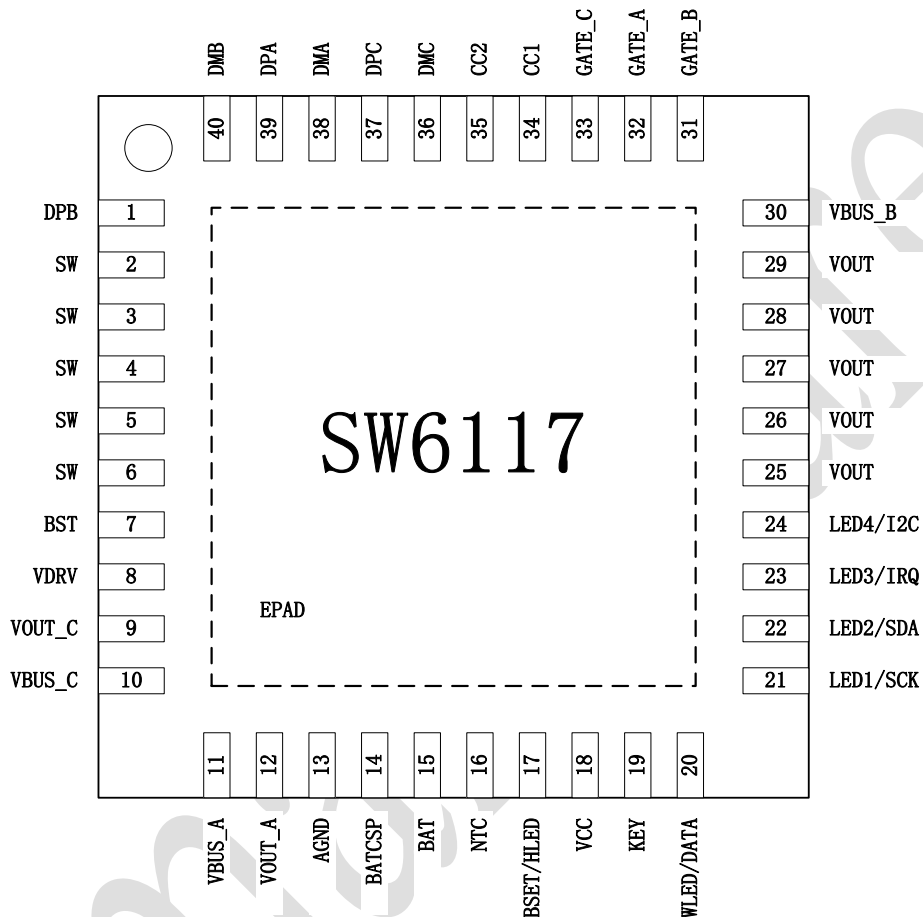
- **Switching Charger**
  - Current up to 4A, Efficiency up to 96%
  - Support 4.2/4.3/4.35/4.4 Battery Voltage
  - Support Battery NTC Protection
  - Thermal Regulation
- **Synchronous Boost**
  - Power up to 18W, Efficiency up to 95%
  - Support Wire Drop Compensation
  - Load Insert Detect and Auto Turn on
  - Light Load Detect and Auto Turn off
- **Output Fast Charge Protocol**
  - Support PD3.0/PD2.0
  - Support QC3.0/QC2.0
  - Support AFC
  - Support FCP
  - Support PE2.0/PE1.1
  - Support SFCP
- **Input Fast Charge Protocol**
  - Support PD3.0/PD2.0
  - Support AFC
  - Support FCP
- **Type-C Interface**
  - Support USB Type-C Specification
  - Support try.SRC Role
- **BC1.2 Module**
  - Support BC1.2 DCP
- Support Apple & Samsung Device
- **Lightning Decryption**
  - Support Lightning Decryption
- **Fuel Gauge**
  - Include 12bit ADC
  - Support Percent Display
  - Support Various Battery Voltage
  - Support 3~5 LEDs
  - Automatic Recognition of LED Number
- **WLED Driver**
  - Support WLED Driver
- **Fast Charge LED**
  - Support Fast Charge LED Driver
- **Key Support**
  - Support Push Key
- **Protection**
  - Input Over Voltage Protection
  - Output Over Current Protection
  - Output Short Protection
  - Charger Over Time Protection
  - Charger Over Voltage Protection
  - Over Temperature Protection
- **I2C Interface**
- **QFN-40(5x5mm) Package**

### 4. Functional Block Diagram



## 5. Pin Configuration and Function

### 5.1. Pin Configuration



### 5.2. Pin Descriptions

Pin	Name	Function Description
1	DPB	Micro-B port DP pin.
40	DMB	Micro-B port DM pin.
2, 3, 4, 5, 6	SW	Switching node.
7	BST	Bootstrap pin for high side NMOS.
8	VDRV	Driver power.
9	VOUT_C	Type-C port current sense pin.
10	VBUS_C	Type-C port current/voltage sense pin.
11	VBUS_A	Type-A port current/voltage sense pin.
12	VOUT_A	Type-A port current sense pin.
13	AGND	Analog ground.

14	BATCSP	Battery current sense pin.
15	BAT	Battery current/voltage sense pin.
16	NTC	Negative temperature coefficient (NTC) thermistor input.
17	BSET/HLED	Battery voltage set and fast charge led driver.
18	VCC	Internal power.
19	KEY	Push key input.
20	WLED/DATA	Flash led driver or lightning decryption pin.
21	LED1/SCK	Led1 for battery capacity indicator or i2c clock.
22	LED2/SDA	Led2 for battery capacity indicator or i2c data.
23	LED3/IRQ	Led3 for battery capacity indicator or irq.
24	LED4/I2C	Led4 for battery capacity indicator or i2c/led set.
25, 26, 27, 28, 29	VOUT	Boost output and charger input.
30	VBUS_B	Micro-B port input.
31	GATE_B	Micro-B port power path control pin.
32	GATE_A	Type-A port power path control pin.
33	GATE_C	Type-C port power path control pin.
34	CC1	Type-C configure channel CC1.
35	CC2	Type-C configure channel CC2.
36	DMC	Type-C port DM pin.
37	DPC	Type-C port DP pin.
38	DMA	Type-A port DM pin.
39	DPA	Type-A port DP pin.
	EPAD	Exposed pad.

## 6. Absolute Maximum Ratings

Parameters	Symbol	MIN	MAX	UNIT
Input Voltage	VBUS_B/VBUS_C	-0.3	16	V
Output Voltage	VOUT /VOUT_A/VOUT_C /VBUS_A/VBUS_C	-0.3	16	V
SW Voltage	SW	-0.3	16	V
BST Voltage	BST-SW	-0.3	6	V
Power Path Control Voltage	GATE_A/GATE_B /GATE_C	-0.3	24	V
Other Pin Voltage		-0.3	6	V
Junction Temperature		-40	+150	°C
Storage Temperature Range		-60	+150	°C
ESD(HBM)		-4	+4	KV

【Notice】 Stresses beyond those listed under absolute maximum ratings may cause permanent damage to the device. These are stress ratings only, and functional operation of the device at these or any other conditions beyond those indicated under recommended operating conditions is not implied. Exposure to absolute-maximum-rated conditions for extended periods may affect device reliability.

## 7. Recommended Operating Conditions

Parameters	Symbol	MIN	Typical	MAX	UNIT
Input Voltage	VBUS B/VBUS C	4.5		13.5	V
Battery Voltage	BAT	2.8		4.5	V

## 8. Electrical Characteristics

( $V_{IN} = 5V$ ,  $V_{BAT} = 3.7V$ ,  $T_A = 25^\circ C$ , unless otherwise specified.)

Parameters	Symbol	Test Conditions	MIN	TYP	MAX	UNIT
<b>Power Supply</b>						
VBUS_B Input Voltage	$V_{BUSB}$		4		13.5	V
VBUS_B Input UVLO Threshold	$V_{BUSB\_UVLO}$	Voltage Falling		4		V
VBUS_B Input UVLO Hysteresis	$V_{BUSB\_UVLO\_HYS}$	Voltage Rising		400		mV
VBUS_C Input Voltage	$V_{BUSC}$		4		13.5	V
VBUS_C Input UVLO Threshold	$V_{BUSC\_UVLO}$	Voltage Falling		4		V
VBUS_C Input UVLO Hysteresis	$V_{BUSC\_UVLO\_HYS}$	Voltage Rising		400		mV
VCC Output Voltage	$V_{CC}$	Boost or $V_{BUSB}/V_{BUSC}$ Insert		5		V
		Power Off		$V_{BAT}$		V
VCC Output current	$I_{CC}$	Boost or $V_{BUSB}/V_{BUSC}$ Insert		60		mA
		Power Off		60		mA
<b>Power MOS Rdson</b>						
High Side NMOS	$R_{DSON\_H}$			22		m $\Omega$
Low Side NMOS	$R_{DSON\_L}$			16		m $\Omega$
<b>Charge Mode</b>						
Trickle Charge End Voltage	$V_{TC}$			3		V
Trickle Charge Current	$I_{TC}$	$1.5V < V_{BAT} < 3V$		300		mA

		$V_{BAT} < 1.5V$		200		mA
Constant Current Charge Current	$I_{CC}$	$V_{BUSB}$ or $V_{BUSC} = 5V$		2.5		A
		$V_{BUSB}$ or $V_{BUSC} = 9V$		4		A
Termination Charge Current	$I_{END}$			10		%
Target Charge Voltage	$V_{BAT\_FULL}$			4.2		V
Recharge Threshold	$V_{BAT\_RECH}$			4.1		V
Switching Frequency	$F_{CHG}$			400		KHz
Trickle Charge Over Time	$t_{TC\_OT}$			40		Min
Constant Charge Over Time	$t_{CC\_OT}$			33		Hour
Thermal Regulation Threshold	$T_{REGU\_CHG}$			115		°C
<b>Boost Mode</b>						
VBAT Input Voltage	$V_{BAT}$		2.9		4.5	V
VBAT Input UVLO Threshold	$V_{BAT\_UVLO}$	Voltage Falling		2.9		V
VBAT Input UVLO Hysteresis	$V_{BAT\_UVLO\_HYS}$	Voltage Rising		500		mV
VOUT Output Voltage	$V_{OUT}$	$V_{OUT}=5V$		5.05		V
		$V_{OUT}=9V$		9.05		V
		$V_{OUT}=12V$		12.05		V
VOUT Output Current	$I_{OUT}$	$V_{OUT}=5V$		3		A
		$V_{OUT}=9V$		2		A
		$V_{OUT}=12V$		1.5		A
Light Load Current	$I_{LIGHT\_LOAD}$	$R_{DS\_PATH}=10m\Omega$		60		mA
Light Load Time	$t_{LIGHT\_LOAD}$			32		S
Quiescent Current	$I_Q$	$V_{BAT}=3.7V$		40		uA
Wire Drop Compensation	$V_{OUT\_WDC}$	$0A < I_{OUT} < 1A$		0		mV
		$1A < I_{OUT} < 2A$		50		mV
		$I_{OUT} > 2A$		100		mV
Switching Frequency	$F_{BST}$			400		KHz
Thermal Regulation Threshold	$T_{REGU\_BST}$			115		°C
<b>Type-C</b>						
CC Current Source	$I_{CC\_SOURCE}$	Power Level=3.0A		330		uA
CC Termination Resistor	$R_D$			5.1		kΩ

<b>BC1.2</b>						
DP/DM Voltage	DP	Apple 2.4A Mode		2.7		V
	DM	Apple 2.4A Mode		2.7		V
<b>PE</b>						
Current Threshold	$I_{REF}$			300		mA
Quit Time	$t_{PLUG\_OUT}$			200		mS
<b>LED</b>						
LED Source Current	$I_{LED}$			4		mA
LED Flicker Frequency	$f_{LED}$			1		Hz
<b>WLED</b>						
WLED Resistor	$R_{WLED}$			20		$\Omega$
<b>KEY</b>						
Short Key Time	$T_{SHORT}$			32		mS
Long Key Time	$T_{LONG}$			2		S
<b>I2C</b>						
Rate	$f_{CLK}$			400		Kbit/S
<b>Thermal Shutdown</b>						
Thermal Shutdown Threshold	$T_{SHDT}$	Temperature Rising		150		$^{\circ}C$
Thermal Shutdown Hysteresis	$T_{SHDT\_HYS}$	Temperature Falling		70		$^{\circ}C$

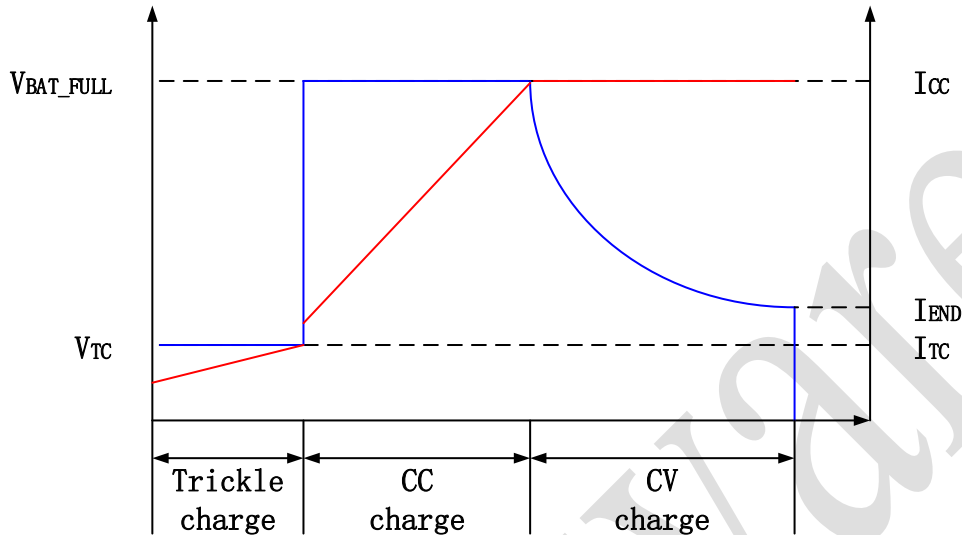
## 9. Functional Description

### 9.1. Charge Mode

The SW6117 integrates a switching charger with charge current up to 4A and efficiency is up to 96%. The switching charger supports 4.2V/4.3V/4.35V/4.4V battery voltage. Its switching frequency is up to 400KHz, so a small size inductor with inductance of 2.2uH can be used.

The switching charger charges battery in three charge phases: trickle charge(TC), constant current charge(CC) and constant voltage charge(CV). When battery voltage is lower than 3V, charger enters into trickle charge while the charge current is 200mA when battery voltage is lower than 1.5V and 300mA when battery voltage is between 1.5V and 3.0V. When battery voltage rises to 3V, charge enters into constant current charge while charge current is fast charge current. When battery voltage rises to target charge voltage, charger enters into constant voltage charge while charge current falls so as

battery voltage stays to target voltage. When charge current falls to termination charge current, charge cycle completes and charger stops. When battery voltage is lower than recharge threshold, charger automatically restarts.



The battery target voltage can be set by BSET/HLED pin. When BSET/HLED is floating, 4.2V is set; when connecting a 62K  $\Omega$  resistor to ground, 4.35V is set; when connecting a 30K  $\Omega$  resistor to ground, 4.4V is set; when connecting a 10K  $\Omega$  resistor to ground, 4.3V is set.

The charge current varies with input voltage. When input voltage is 5V, charge current is set to 2.5A; When input voltage is high than 5V, charge current is set to 4A.

The switching charger has battery temperature protection. It monitors battery temperature by measuring the voltage of NTC pin which connects to a negative temperature coefficient (NTC) thermistor. When battery temperature is abnormal, charger will reduce charge current or stop to protect battery. While using a typical NTC thermistor of 103AT, When battery temperature is lower than 5°C, charger will reduce charge current by half; When battery temperature continues to fall to lower than 0°C, charger will stop; When battery temperature rises to 5°C, charger will restart and reduce charge current by half; When battery temperature continues to rise to higher than 10°C, charge current will return to normal; When battery temperature is higher than 45°C, charger will reduce charge current by half; When battery temperature continues to rise to higher than 50°C, charger will stop; When battery temperature falls to 45°C, charger will restart and reduce charge current by half; When battery temperature continues to fall to lower than 40°C, charge current will return to normal. Resistors can be in series or parallel with the NTC thermistor to change the protection temperature range. If not needing NTC protection, connect NTC pin to GND.

The switching charger integrates thermal regulation. When die temperature rises to the charge thermal regulation threshold, charge current will automatically fall down so the die temperature stops increasing. If temperature continues rising to thermal shutdown temperature, charger will stop and the SW6117 powers off.

The switching charger integrates over time protection. When charging remains in trickle charge beyond



the trickle charge over time,  $t_{TC\_OT}$ , or charging remains in constant current charge beyond the constant current charge over time,  $t_{CC\_OT}$ , charger will terminate. Charger will restart only when re-inserting the adapter.

## 9.2. Boost Mode

The SW6117 integrates a synchronous boost with output power up to 18W and efficiency is up to 95%.

The synchronous boost works in PSM/PWM mode. It works in PSM mode when in light load and in PWM mode in heavy load to make a better efficiency. It will automatically change in these two modes base on output current.

The synchronous boost supports 18W power output. When output voltage is lower than 6V, its current is up to 3A. When output voltage is higher than 6V, its power output is limited to 18W. When output voltage is 9V, its current is up to 2A; When output voltage is 12V, its current is up to 1.5A.

The synchronous boost has battery temperature protection. When battery temperature is abnormal, boost will stop to protect battery. While using a typical NTC thermistor of 103AT, When battery temperature is lower than  $-15^{\circ}\text{C}$  or higher than  $58^{\circ}\text{C}$ , boost will stop and turn off. When battery temperature enters into normal range, boost will not automatically restart except a start condition such as short key or load detect occur. Resistors can be in series or parallel with the NTC thermistor to change the protection temperature range. If not needing NTC protection, connect NTC pin to GND.

The synchronous boost integrates thermal regulation. When die temperature rises to boost thermal regulation threshold, output voltage will automatically fall down so as die temperature stop increasing. If die temperature still rises to thermal shutdown threshold, boost will stop and turn off. When die temperature falls to thermal shutdown hysteresis, boost will not automatically restart except a start condition such as short key or load detect occur.

The synchronous boost integrates input under voltage, output over voltage, output overload and short protection.

## 9.3. Power Path

The SW6117 supports Type-A+Type-C+Micro-B. Type-A port supports QC3.0 / QC2.0 / AFC / FCP / PE2.0 / PE1.1 / SFCP fast charge output. Type-C port supports PD3.0 / PD2.0 / QC3.0 / QC2.0 / AFC / FCP / PE2.0 / PE1.1 / SFCP fast charge output, and PD3.0 / PD2.0 / AFC / FCP fast input. Micro-B supports AFC / FCP fast input.

When short key occurs or load inserts, Type-A port will turn on to power supply extern device, and light load detection will turn off Type-A port. Light load current is related to power path MOS of Type-A port. if power path MOS  $R_{dson}$  is  $10\text{m}\Omega$ , the light load current will be about 60mA. When SOURCE is attached, Type-C port will turn on and charger will automatically turn on to charge battery. When

SINK is attached, Type-C port will turn on and boost will automatically turn on to supply device. When SINK is unattached, Type-C port will turn off and boost will automatically turn off. Type-C port also support light load detection. When SINK is light load, Type-C port and boost will turn off to reduce power consumption. When adapter inserts, Micro-B port will turn on and charger will automatically turn on.

The SW6117 supports charging the battery and supplying extern device simultaneously. When only one port turns on, it supports fast charge input and output; when two or three ports turn on, it only supports 5V input and output.

The SW6117 supports Type-A port and Type-C port supply extern devices simultaneously and only supports 5V output.

### 9.4. Type C Interface

The SW6117 integrates Type-C logic controller include try.SRC role. When SOURCE is attached, charger will automatically turn on to charge battery. When SOURCE is detached, charger will automatically turn off. When SINK is attached, boost will automatically turn on to supply device. When SINK is detached, boost will turn off .

When SINK is attached and boost turns on , the SW6117 works in SOURCE role, and will broadcast power level of 3A. if adapter inserts in Micro-B port and boost not turns on, the 6106 will also broadcast power level of 3A.

### 9.5. PD Fast Charge

The SW6117 integrates PD3.0/PD2.0 fast charge protocol, supports input and output fast charge. It supports 5V/9V input voltage and 5V/9V/12V output voltage.

### 9.6. QC3.0/QC2.0 Fast Charge

The SW6117 integrates QC3.0/QC2.0 fast charge protocol. It supports Class A, while QC2.0 supporting 5V/9V/12V output voltage and QC3.0 supporting 5V~12V output voltage, 200mV/Step.

QC2.0/QC3.0 will output voltage base on DP/DM voltage:

Device		SW6117	
DP	DM	VOUT	Note

3.3V	3.3V	previous voltage	not respond
0.6V	0.6V	12V	
3.3V	0.6V	9V	
0.6V	3.3V	continuous mode	0.2V/Step
0.6V	GND	5V	

### 9.7. AFC Fast Charge

The SW6117 integrates AFC fast charge protocol, supports 5V/9V/12V output voltage and 5V/9V input voltage.

### 9.8. FCP Fast Charge

The SW6117 integrates FCP fast charge protocol, supports 5V/9V/12V output voltage and 5V/9V input voltage.

### 9.9. PE Fast Charge

The SW6117 integrates PE2.0/PE1.1 fast charge protocol. PE1.1 supports 5V/7V/9V/12V output voltage. PE2.0 supports 5V~12V output voltage, 500mV/Step.

### 9.10. SFCP Fast Charge

The SW6117 integrates SFCP fast charge protocol, supports 5V/9V/12V output voltage.

### 9.11. BC1.2 Module

The SW6117 integrates BC1.2 controller, and automatically detects apple and samsung devices:

Apple 2.4A mode: DP=2.7V, DM=2.7V;

Samsung 2A mode: DP=1.2V, DM=1.2V;

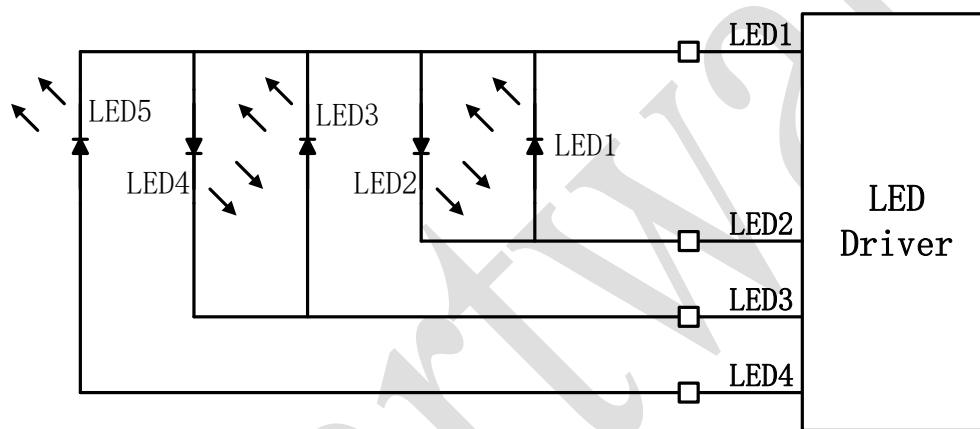
### 9.12. Lightning Decryption

The SW6117 integrates lightning decryption. Lightning decryption function and WLED driver is shared with WLED/DATA pin, so only one of these two functions can be used in one application.

### 9.13. Led Driver

The led driver supports 3/4/5 LEDs.

When connecting 5 LEDs, the LEDs connect way is as below:



When discharging, battery capacity is shown as:

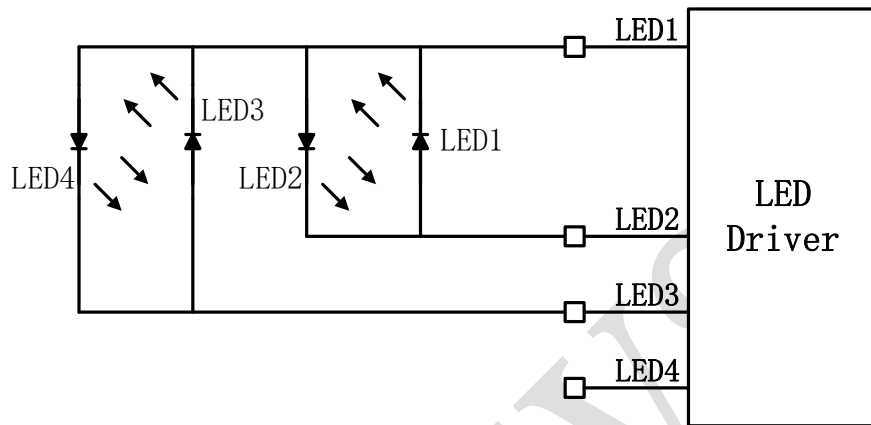
Capacity	LED1	LED2	LED3	LED4	LED5
80~100%	On	On	On	On	On
60~80%	On	On	On	On	Off
40~60%	On	On	On	Off	Off
20~40%	On	On	Off	Off	Off
5~20%	On	Off	Off	Off	Off
1~5%	Flicker	Off	Off	Off	Off
0%	Off	Off	Off	Off	Off

When charging, battery capacity is shown as:

Capacity	LED1	LED2	LED3	LED4	LED5
100%	On	On	On	On	On
80~99%	On	On	On	On	Flicker
60~80%	On	On	On	Flicker	Off

40~60%	On	On	Flicker	Off	Off
20~40%	On	Flicker	Off	Off	Off
0~20%	Flicker	Off	Off	Off	Off

When connecting 4 LEDs, the LEDs connect way is as below:



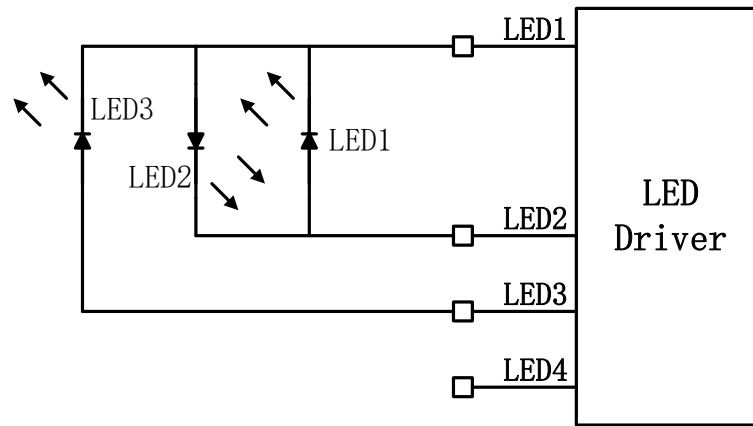
When discharging, battery capacity is shown as:

Capacity	LED1	LED2	LED3	LED4
75~100%	On	On	On	On
50~75%	On	On	On	Off
25~50%	On	On	Off	Off
5~25%	On	Off	Off	Off
1~5%	Flicker	Off	Off	Off
0%	Off	Off	Off	Off

When charging, battery capacity is shown as:

Capacity	LED1	LED2	LED3	LED4
100%	On	On	On	On
75~99%	On	On	On	Flicker
50~75%	On	On	Flicker	Off
25~50%	On	Flicker	Off	Off
0~25%	Flicker	Off	Off	Off

When connecting 3 LEDs, the LEDs connect way is as below:



When discharging, battery capacity is shown as:

Capacity	LED1	LED2	LED3
66~100%	On	On	On
33~66%	On	On	Off
5~33%	On	Off	Off
1~5%	Flicker	Off	Off
0%	Off	Off	Off

When charging, battery capacity is shown as:

Capacity	LED1	LED2	LED3
100%	On	On	On
66~99%	On	On	Flicker
33~66%	On	Flicker	Off
0~33%	Flicker	Off	Off

The led driver supports low power indication. When battery is low power, LED1 will flicker 5 times to indicate battery needs to charge, and boost will also not turn on.

## 9.14. WLED Driver

The SW6117 integrates flash light driver. WLED pin is connected to flash light to drives flash light.

## 9.15. Fast Charge Led

The SW6117 integrates fast charge LED driver through BSET/HLED pin. When being in input or output fast charge status, BSET/HLED pin will drive high to turn on fast charge led.

### 9.16. KEY

The SW6117 integrates key function. It supports push key, and supports short key, long key and double short key.

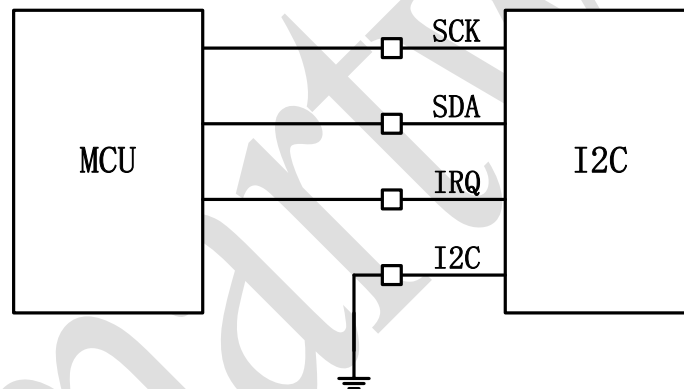
Short key: Type-A port, Type-C port of light load and led driver will turn on;

Long key: WLED driver will turn on or turn off;

Double short key: Type-A port, Type-C output port and led driver will turn off ;

### 9.17. I2C Interface

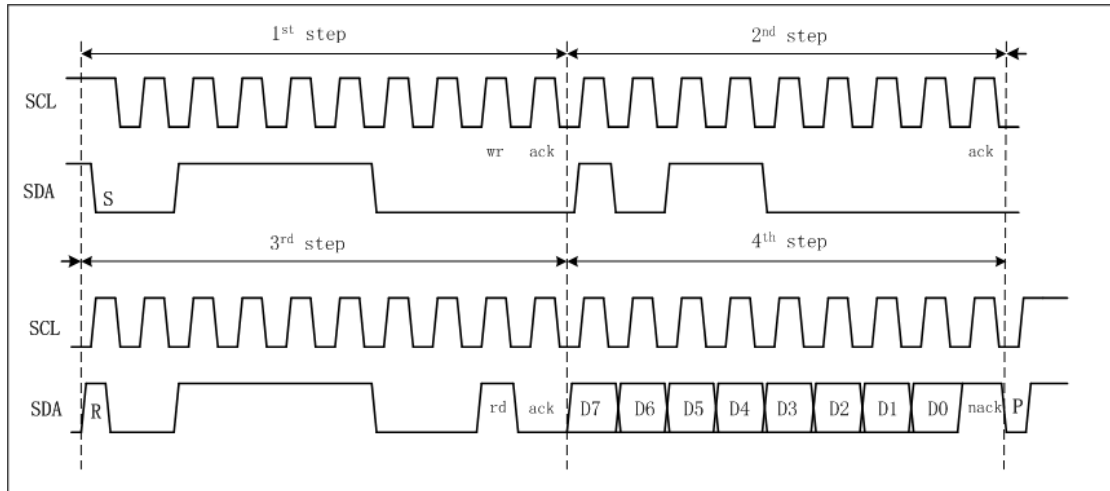
The SW6117 integrates I2C interface, supports 100K/400K rate. I2C interface and LED driver are shared the same four pins, identifying by setting led4/i2c pin. When using as I2C interface, LED4/I2C should connect to ground.



Read Timing:

Slave address : 0x3C

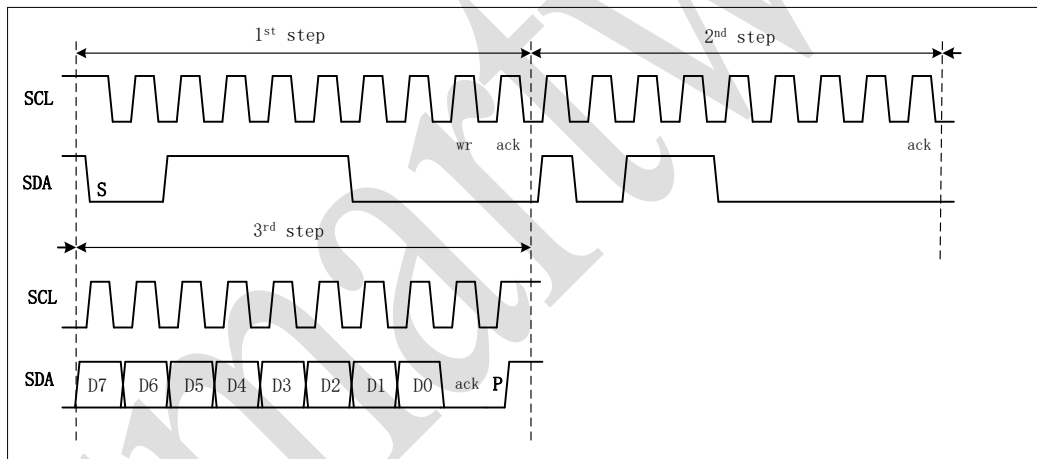
Register address: 0xB0



**Write Timing:**

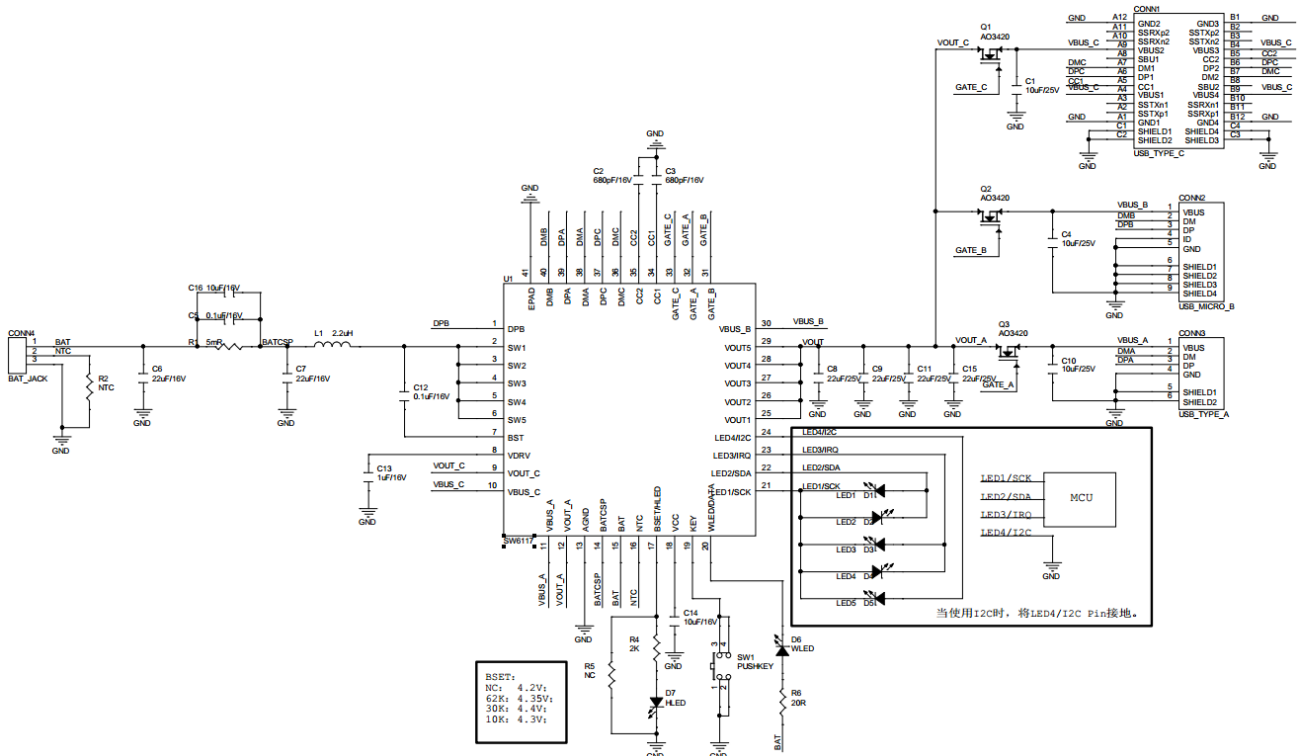
Slave address : 0x3C

Register address: 0xB0



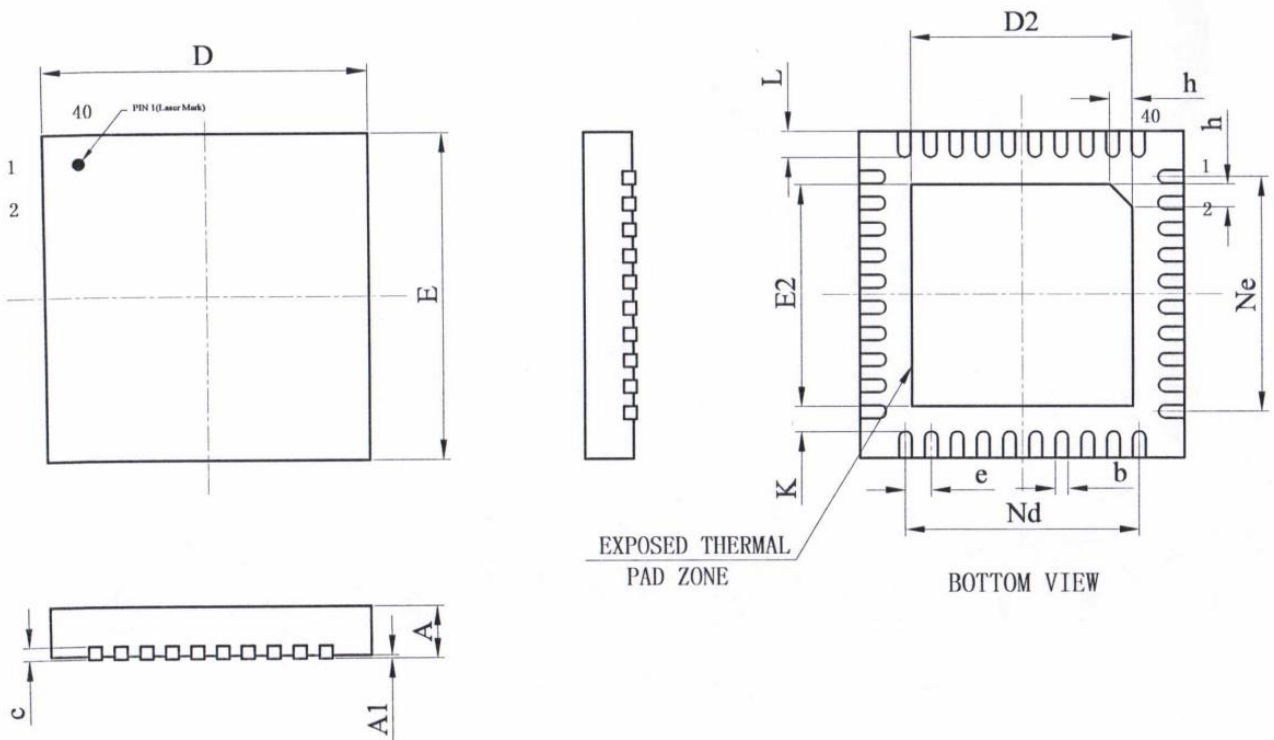


## 10. Typical Application Circuits



## 11. Mechanical and Packaging

### 11.1. Package Summary



### 11.2. Package Outline and Dimensions

Symbol	Dimension in Millimeters		
	MIN	NOM	MAX
A	0.70	0.75	0.80
A1	-	0.02	0.05
b	0.15	0.20	0.25
c	0.18	0.20	0.25
D	4.90	5.00	5.10
D2	3.30	3.40	3.50
e	0.40BSC		
Nd	3.60BSC		
E	4.90	5.00	5.10
E2	3.30	3.40	3.50
Ne	3.60BSC		
L	0.35	0.40	0.45

---

K	0.20	-	-
h	0.30	0.35	0.40

ismartware

## 12. Revision History

- V2.0 Initial version
- V2.1 Delete description of 12V input
- V2.2 Modify company logo
- V2.3 Update document template

ismartware

**Disclaimer**

Zhuhai iSmartWare Technology Co., Ltd. (hereinafter referred to as "iSmartWare") may modify or update the products, services and this document provided at any time without prior notice. Customers should obtain the latest relevant information before placing an order and confirm that such information is complete and up-to-date.

The information contained in this document is for your convenience only, and iSmartWare makes no representations or warranties, express or implied, written or oral, statutory or otherwise, for such information, including but not limited to the purpose, characteristics, conditions of use, merchantability of the product. etc. iSmartWare does not assume any responsibility for this information and the consequences caused by the unreasonable use of this information.

iSmartWare assumes no obligation for application assistance or customer product design. Customers are solely responsible for their products and applications using iSmartWare. Customers should provide sufficient design and operation security verification, and guarantee that when integrating iSmartWare products into any application, they will not infringe third-party intellectual property rights, and iSmartWare will not be responsible for any infringements.

When resale of iSmartWare products, if there are differences or false components compared with the product parameters and their statements, all express or implied authorizations of iSmartWare related products will be automatically lost, and this is unfair and fraudulent. For business behavior, iSmartWare reserves the right to protect its rights in all legal ways. iSmartWare assumes no responsibility or liability for any such misrepresentation.

This document is only allowed to be reproduced without any tampering with the content and with relevant authorizations, conditions, restrictions and statements, otherwise iSmartWare has the right to pursue its legal responsibility. iSmartWare assumes no responsibility or liability for such tampered documents. Reproduction of information involving third parties is subject to additional restrictions.